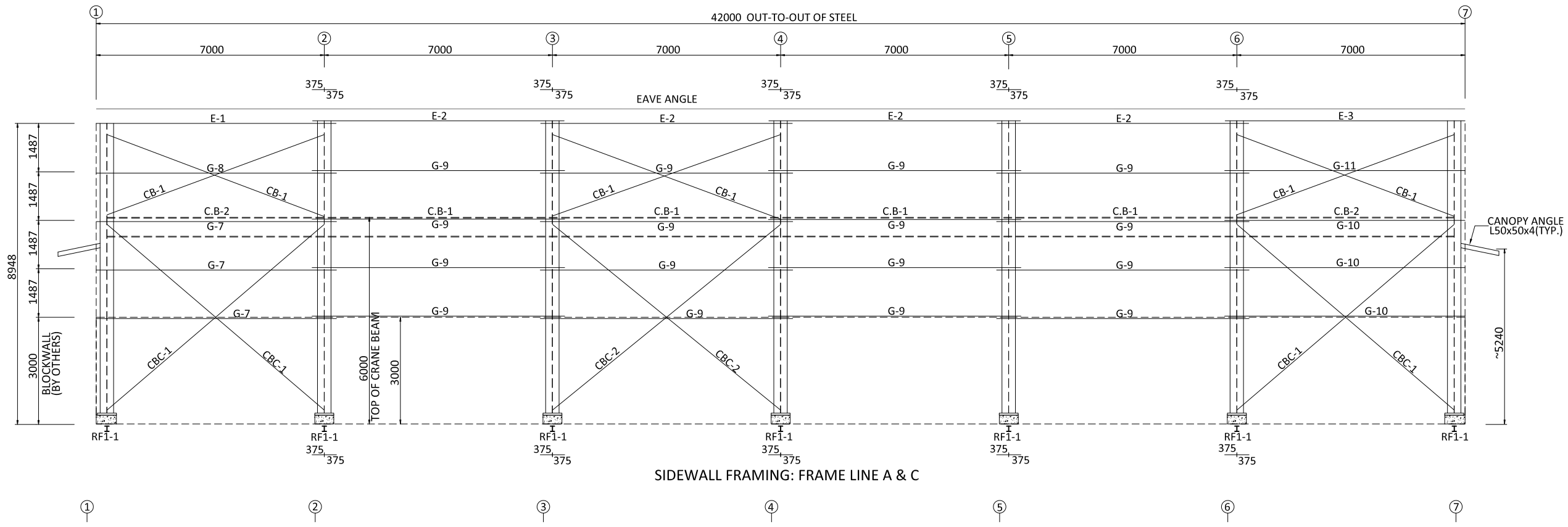
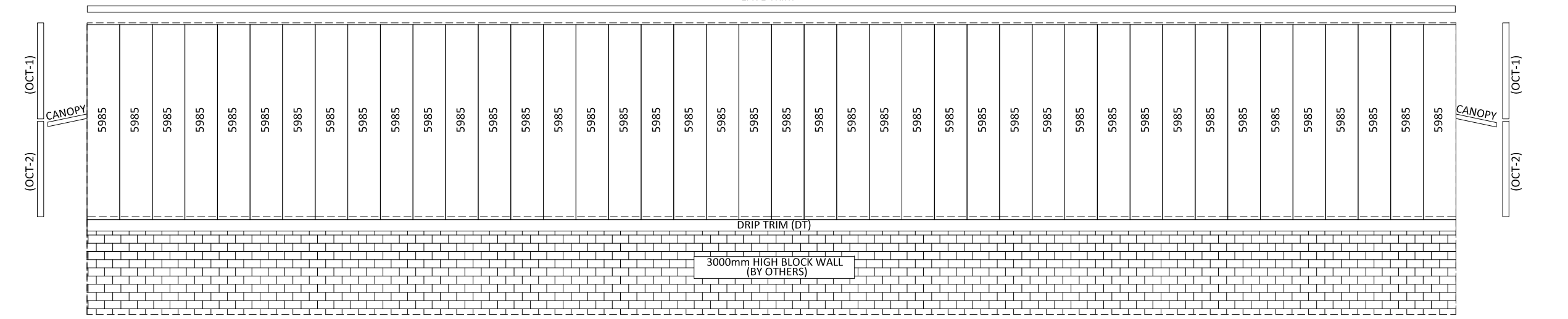


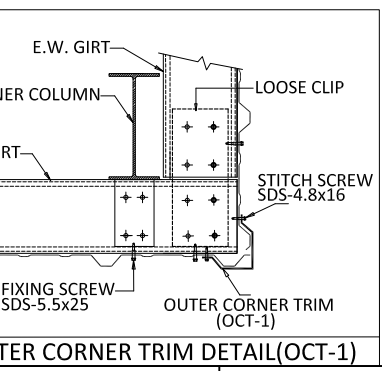
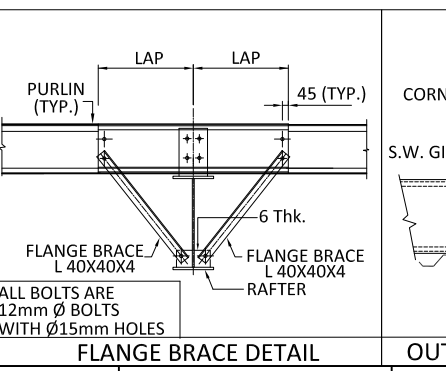
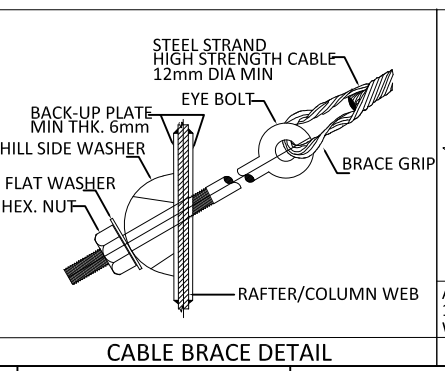
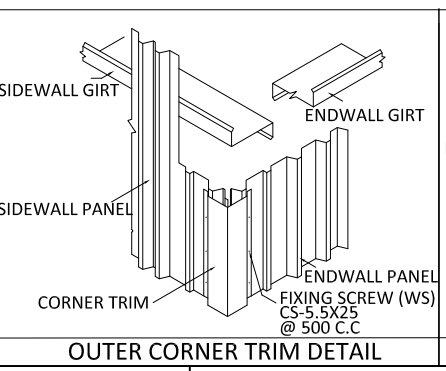
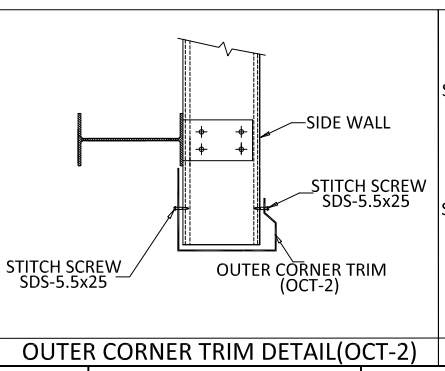
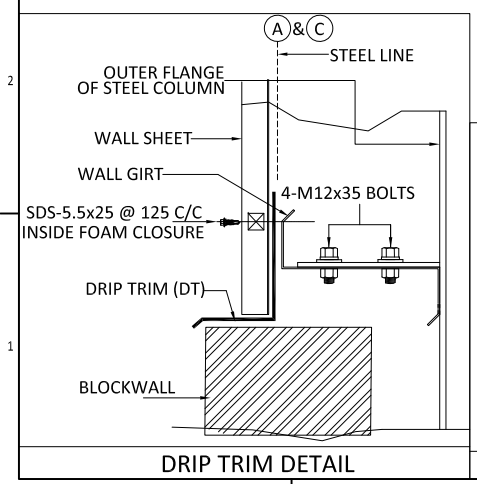
MEMBER TABLE FRAME LINE A & C		
MARK	PART	LENGTH
E-1	200Z15	7370
E-2	200Z15	7750
E-3	200Z15	7370
G-7	200Z15	7370
G-8	200Z15	7370
G-9	200Z15	7750
G-10	200Z15	7370
G-11	200Z15	7370
CBC-1	CABLE-12	8875
CBC-2	CABLE-12	9135
CB-1	CABLE-12	10910
CB-2	CABLE-12	11120



SIDEWALL FRAMING: FRAME LINE A & C



SIDEWALL SHEETING & TRIM: FRAME LINE A & C



A B C D E F G H I J K